

# *ASADAL M1*

ELECTRO MAGNETIC TYPE ESWL SYSTEM



# Innovative High-End ESWL

ASADAL-M1 was developed by M.I.Tech to provide a userfriendly and customized solution for patients with kidney stones.

Our 9" Image Intensifier, camera and high-performance Tube (Rotating) produce high quality images that make stone locating fast and precise, resulting in shortened procedure times and reduced radiation exposure to the patient.

Our Shock-Wave generator with the result of our accumulated technology for two decades delivers stable shock-waves throughout the procedure for the efficient stone fragmentation.

In the field of lithotripsy, ASADAL-M1 is matched for the user convenience and the patient comfort.

## + Specifications at a Glance

### 1. Convenience

- 1) Rotating Anode Tube
- 2) High Resolution CCD Camera
- 3) 9" Image Intensifier
- 4) ABS (Auto Brightness System) Mode

### 2. Efficiency

- 1) Wide Focal Zone
- 2) Effective Focal Depth
- 3) Foot Switch / Remote Control
- 4) Optimized Image Software for Stone Localization
- 5) Management of Patient Information
  - DICOM 3.0 / USB/ CD / DVD

### 3. Ergonomic Design

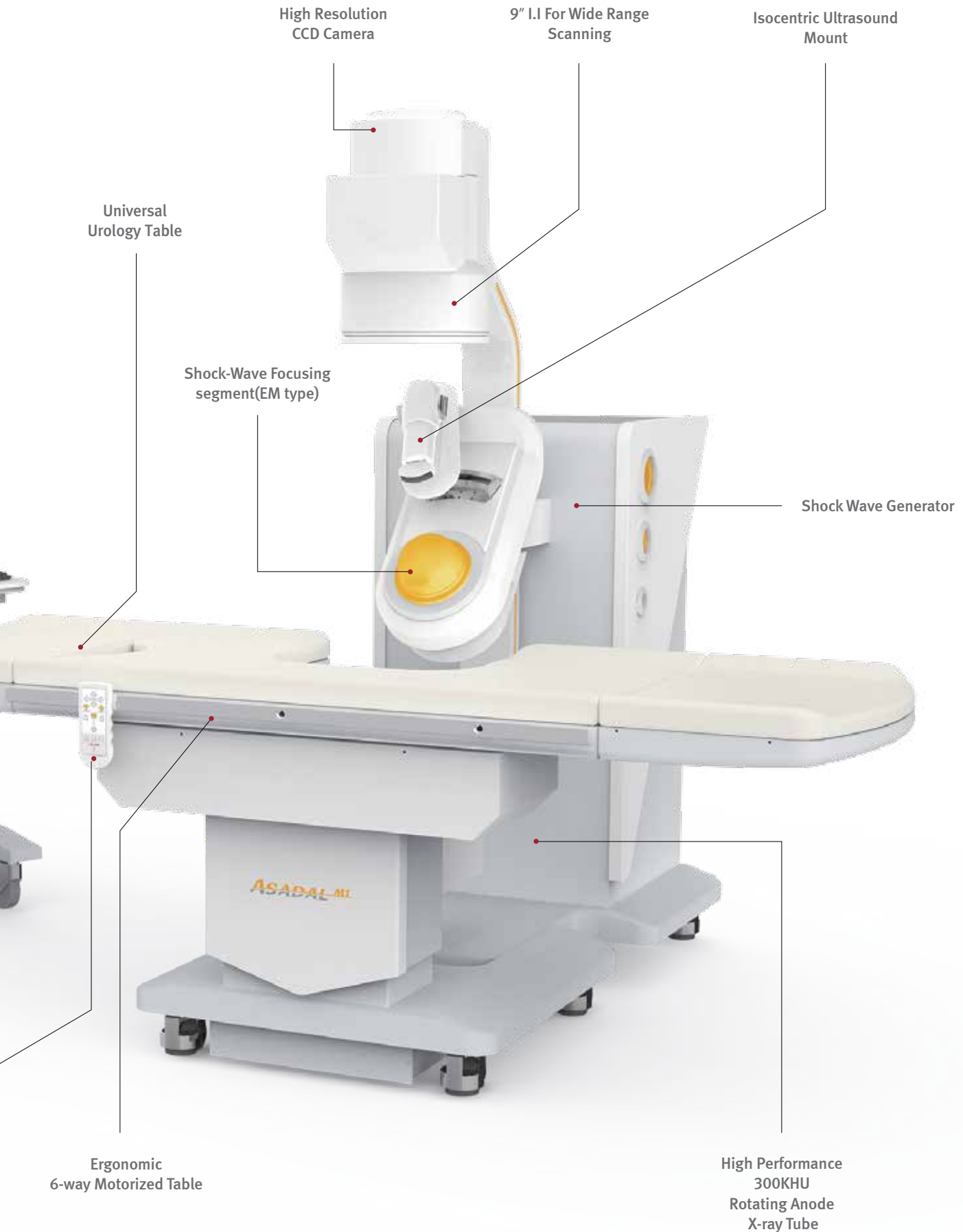
- 1) Motorized 6-way table
- 2) Motorized C-arm operation
- 3) Lower Noise (50dB)

PC based Intuitive  
OP Console

All-in-one  
Control System



Remote Control



# CONVENIENCE



## High-Performance X-ray

The ASADAL-M1 utilizes a high-frequency X-ray generator with 20mA “Boost Mode” for obese patients, and is equipped with a rotating anode tube to maintain performance during high output.



## High-Quality Imaging

Our 9” Image Intensifier scans a wide area with 3 field modes - 4.5”, 6” and 9” to locate stones quickly and precisely.



## Advanced Image Acquisition

With ABS (Auto Brightness System) Operators obtain clear images fast and avoid unnecessary shooting. Procedure time is shortened and radiation exposure to the patient is reduced.



Obese Patient



Boost Mode



4.5"



6"



9"



X-Ray Control

3-Field Mode

# EFFICIENCY

## Wide Focal Zone

Our wide focal zone makes shock-wave focusing more efficient, even though the patient moves slightly during the procedure. Thus, this function is beneficial for the operator as well as the patient when it comes to time-saving during the procedure.

## Efficient Control

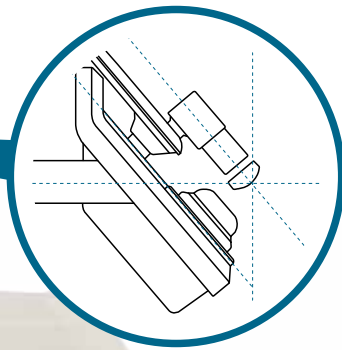
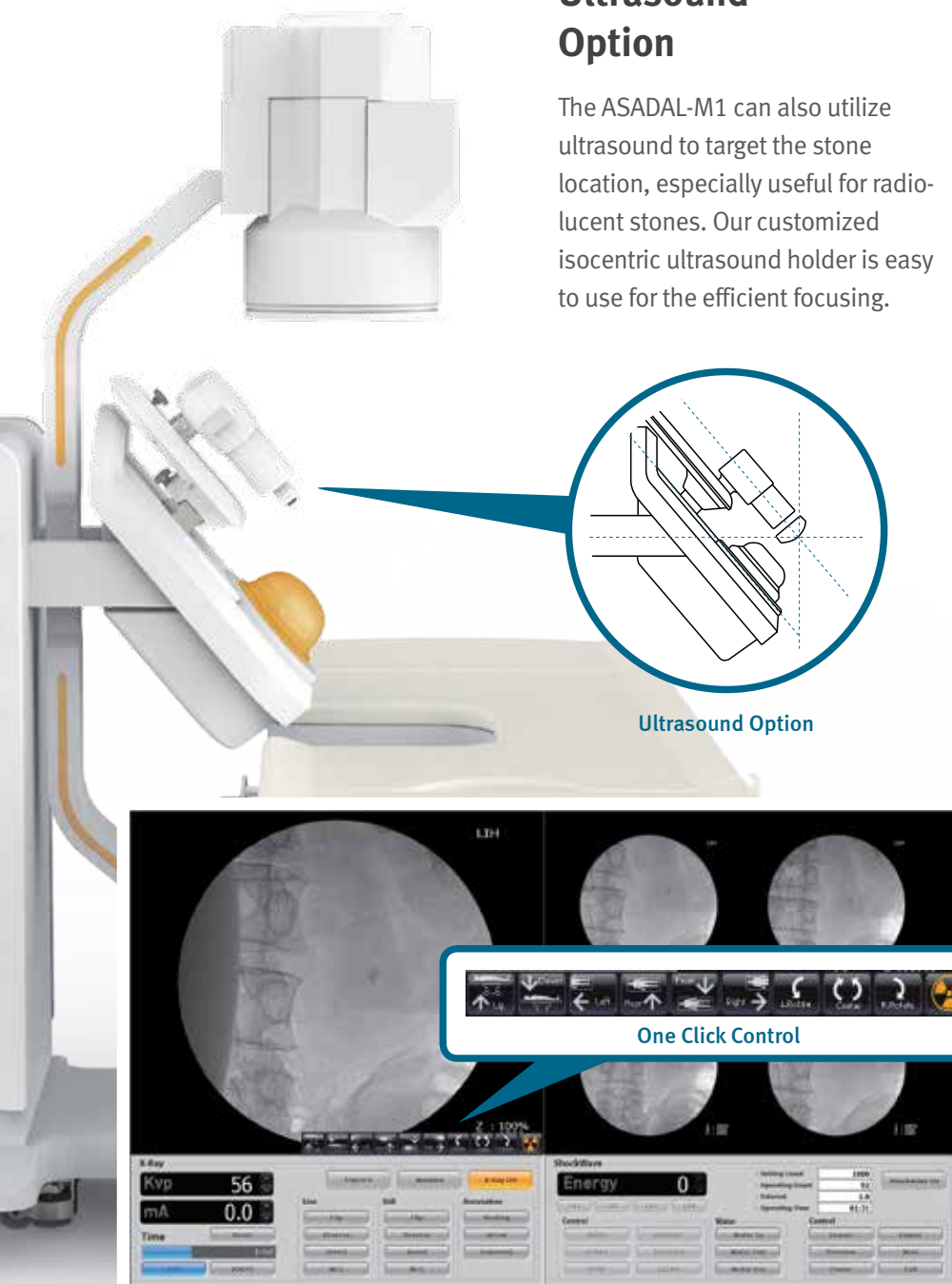
The Operating Console is intuitively designed and easy for the operator to use. The additional remote controller on the patient table enhances the efficiency with the inclusion of X-ray control and the real-time image capture function.

## Ultrasound Option

The ASADAL-M1 can also utilize ultrasound to target the stone location, especially useful for radio-lucent stones. Our customized isocentric ultrasound holder is easy to use for the efficient focusing.

## Efficient Management System

Our proprietary *EM-View* software is a one-click system for image acquisition, processing and viewing & management. And it is truly DICOM3 compatible for seamless integration with PACS.



Ultrasound Option



One Click Control



Controller

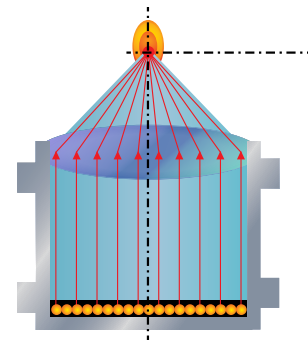
# ERGONOMIC DESIGN

01

## Minimal Pain

The ASADAL-M1 Shock-Wave generator, developed exclusively by M.I.Tech, produces stable Shock-Wave without loss and removes all stones with the lowest number of treatments (2,000~3,000 shots). This means it provides painless procedure and no hospitalization.

**FDA recommendations for all magnetic lithotripters  
in a single treatment: 3,000~4,000 shots on average**



EM(Electro Magnetic Type)

02

## Comfortable Environment



50dB, compare to the normal office noise(60dB)

The ASADAL-M1 eliminates anxiety and makes patients comfortable.

Our stable Shock-Wave generator has a higher success rate and lower noise, compared to the ordinary office noise of 60dB. This means reduced procedure time and increased patient confidence.

03

## Ergonomic Table

Our ergonomic and stylish table was specially designed for patient comfort. 6-way table movement and  $\pm 30^\circ$  C-arm tilting range allow procedure completion without repositioning the patient. A headphone for the operator & patient communication develops patient comfort and enhance patient confidence level.



# Experts in urologic technology, M.I.Tech

Founded in 1995, M.I.Tech (formerly KOMED) developed the first Korean ESWL and has become the acknowledged expert in the field of urologic technology.

M.I.Tech is the leading manufacturer in Korea and has distributors and dealers in more than 30 countries

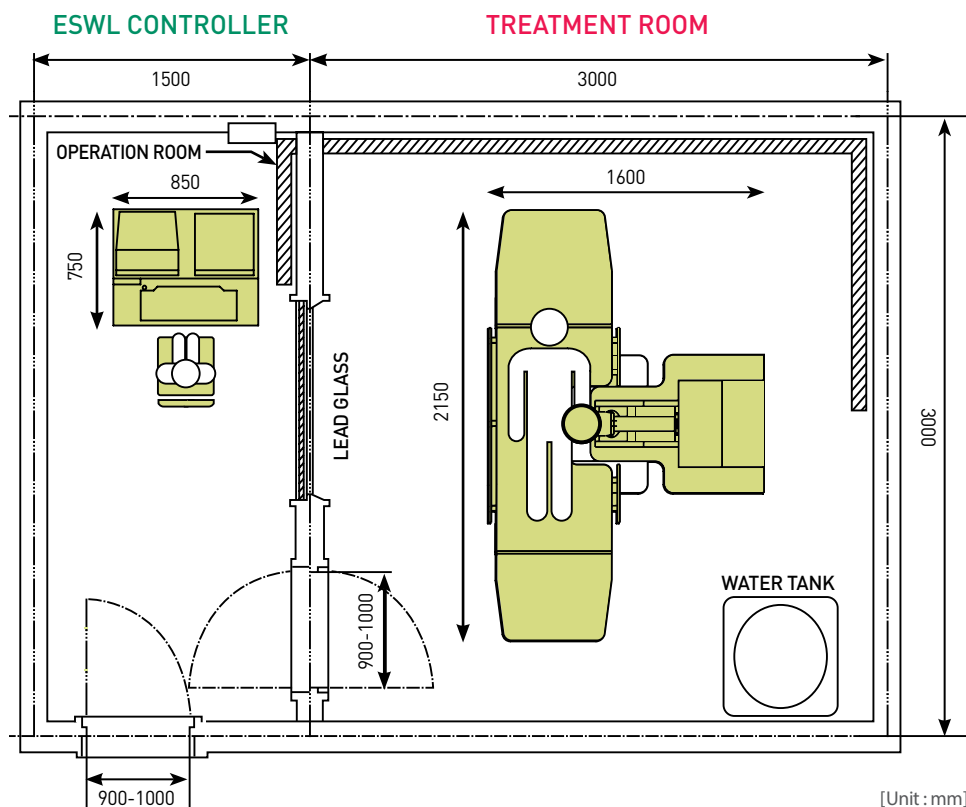
worldwide where our units has been installed and contributed to patients' health and well-being.

With a passion for excellence, we will continue our pivotal role in the urological world to implement state-of-the-art technology for the benefit of humanity.

## Different Level of Customer Service

Medical specialists all over the world benefit from our experience using ESWL systems developed by **M.I.Tech**. We are based in Korea, and operates around the globe through our business partners, making sure that qualified service personnel are always close at hand.

Complex technology only provides optimum benefits if the user knows how to make the most of it. Our training programs are customized to the interaction among doctors, systems operators and patients. We provide on-the-spot training to make sure that our system can be efficiently operated from the very beginning. Users can also rely on our assistance and support in the development of new application methods. It is, after all, the users' know-how and ideas that pave the way for the further development of leading technology.





**M.I.Tech CO., LTD**

© M.I.Tech reserves the right to make any changes in design and specifications contained herein without prior notice and will not be liable for any consequences resulting from the use of this publication. Any technical data contained in this document may vary within defined tolerances. Original images always lose a certain amount of detail when reproduced. Please contact your local M.I.Tech sales representative for the most current information.